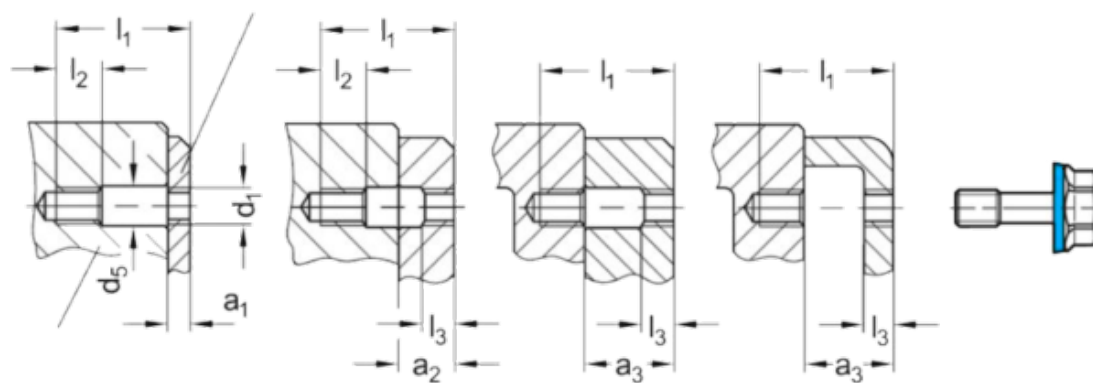
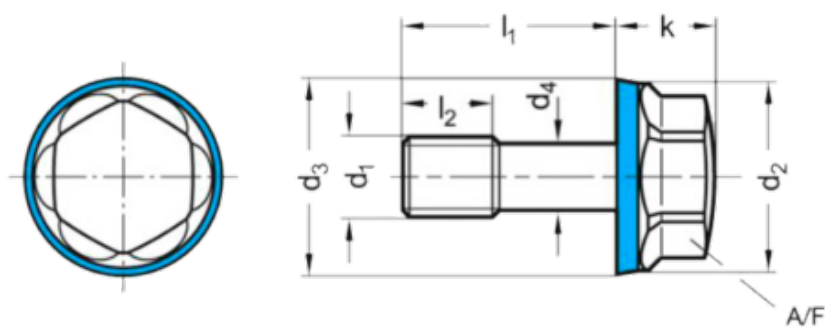


Article number: 201581M630MTH1

Description: E+G Nut GN 1582-M6-30-MT-H-1  
Hygienic design

## Measures



a1	= 7-12	l1	= 30
a2	= 12-17	l2	= 8
a3	= 17-22	l3	= 3
AF	= 10	Weight	= 10
d3	= 13.8		
d4 -0,2	= -		
d5	= 6.5		
k	= 7.5		